

Technical Data Sheet

Axial Impulse Fan



Product Overview

The FDS Axial Impulse fan can run in either normal extract mode or once only smoke operation at up to 400°C for 2 hours which means cost savings as a single fan provides both general and smoke extract requirements.

Certification

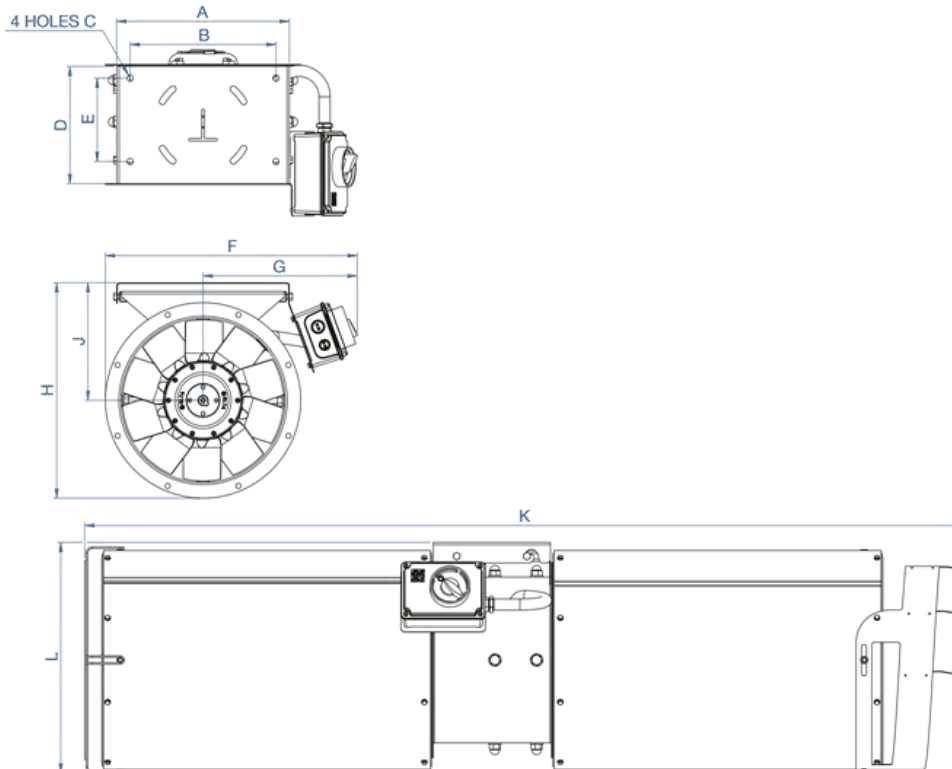
- ⊗ BSEN 12101-3:2015 – Legislation outlining test procedure to ensure fans are suitable to be used in the event of an emergency, in this instance 300°C for 2 hours
- ⊗ ISO 5801:2007 (Airside Performance)
- ⊗ BS 848 Part 2:1985 (Sound Performance)
- ⊗ BS ISO 13347-2:2004 (Reverberation Room Method)

- ⊗ ISO 5801:2007 (Airside Performance)
- ⊗ BS 848 Part 2:1985 (Sound Performance)
- ⊗ BS ISO 13347-2:2004 (Reverberation Room Method) ALL

Flanged Units - Unidirectional High Thrust

Product Code		Thrust N	Volume Flow Rate m ³ /s	Velocity m/s	Sound Pressure dBA @ 1m	Speed r/min	Motor Power kW	FLC Amps	SC Amps	Absorbed Power kW
JFU/F3-315-2-HAI	High	30	1.40	17.91	65	2875	1.27	2.73	14.5	0.91
	Low	10	0.81	10.34	47	1460	0.29	0.82	2.9	0.15
JFU/F3-355-2-HAI	High	50	2.03	20.52	70	2920	2.53	5.25	31.5	1.73
	Low	15	1.11	11.24	52	1475	0.58	1.68	5.4	0.23
JFU/F3-400-2-SAI	High	50	2.29	18.21	63	2835	1.27	2.73	14.5	0.95
	Low	16	1.29	10.30	47	1450	0.29	0.82	2.9	0.15
JFU/F3-400-2-HAI	High	80	2.89	23.03	69	2895	2.53	5.25	31.5	2.30
	Low	18	1.37	10.93	51	1465	0.58	1.68	5.4	0.30

Product Code	Dia.	A	B	C	D	E	F	G	H	J	K	L	Weight kg
JFU/F3-315	315	332	280	12	225	160	484	296	413	226	1686	442	58
JFU/F3-355	355	416	360	12	244	180	544	331	440	227	1694	444	79
JFU/F3-400	400	416	360	12	244	180	569	331	503	266	2192	520	98



Unflanged Units – Unidirectional Standard Thrust

Product Code	Thrust N	Volume Flow Rate m ³ /s	Velocity m/s	Sound Pressure dBA @ 1m	Speed r/min	Motor Power kW	FLC Amps	SC Amps	Absorbed Power kW
JVSU-CPA-315 2-3	21	0.95	16.52	62	2960	0.80	1.91	11.46	0.45
JVSU-CPA-400 2/4-3	51/12	1.95/0.97	20.91/10.42	64/50	2855/1448	1.30/0.28	2.41/0.75	14.50/2.85	1.02/0.16

Product Code	A	B	C	D	E	F	G	H (max)	Weight kg
JVSU-CPA-315	380	450	350	400	25	14	335.5	1990	65
JVSU-CPA-400	380	450	395	445	25	14	427	2880	75

