

Technical Data Sheet

LCS063P2-A3/21



Certification

- ⊗ ISO 5801:2007 (Airside Performance)
- ⊗ BS 848 Part 2:1985 (Sound Performance)
- ⊗ BS ISO 13347-2:2004 (Reverberation Room Method)

- ⊗ BSEN 12101-3:2015 – Legislation outlining test procedure to ensure fans are suitable to be used in the event of an emergency, in this instance 300°C for 2 hours
- ⊗ ISO 5801:2007 (Airside Performance)
- ⊗ BS 848 Part 2:1985 (Sound Performance)
- ⊗ BS ISO 13347-2:2004 (Reverberation Room Method)

- ⊗ ISO 5801:2007 (Airside Performance)
- ⊗ BS 848 Part 2:1985 (Sound Performance)
- ⊗ BS ISO 13347-2:2004 (Reverberation Room Method) ALL

Technical Data

Performance - Required		Actual	
Air Flow	5.00 m ³ /s	Air Flow	5.04 m ³ /s
Static Pressure	410 Pa	Static Pressure	542 Pa
Selection Pressure	533 Pa	Total Pressure	699 Pa
Installation Type	TYPE D		
Air Density	1.204 kg/m ³		
Atmos. Temp.	20 °C		
Altitude	0 m		
Humidity	0.0 %		

Fan Data

Catalogue Code		LCS063P2-A3/21 (LCS063P-A3_717-IE2-112-5.5-2)	
Description		LCS – Long-Cased Smoke	
Diameter	630 mm	Hub	255 mm
Impeller Type	Axial	Pitch	21°
Blade Material	Aluminium	Blades	3
Speed	2880 RPM @ 50 Hz	Form	B
Power, Abs:	5.94	Peak	5.95
Efficiency Total	59.3%	Static	46.0%
SFP	1.37		
Fan Weight	76.9 kg		

Motor Data (at STP)

Motor Type	F300 (IE2) W	
Electrical Supply	400V 3ph 50Hz	
Motor Frame	112M	
Motor Power	6.05kW (AOM)	(5.50kW IEC)
FLC/Start (DOL)	11.77A (AOM) /78.11A	(10.70A FL IEC)
Motor Speed	2 Pole	
Motor Efficiency	86.8%	

Sound Data

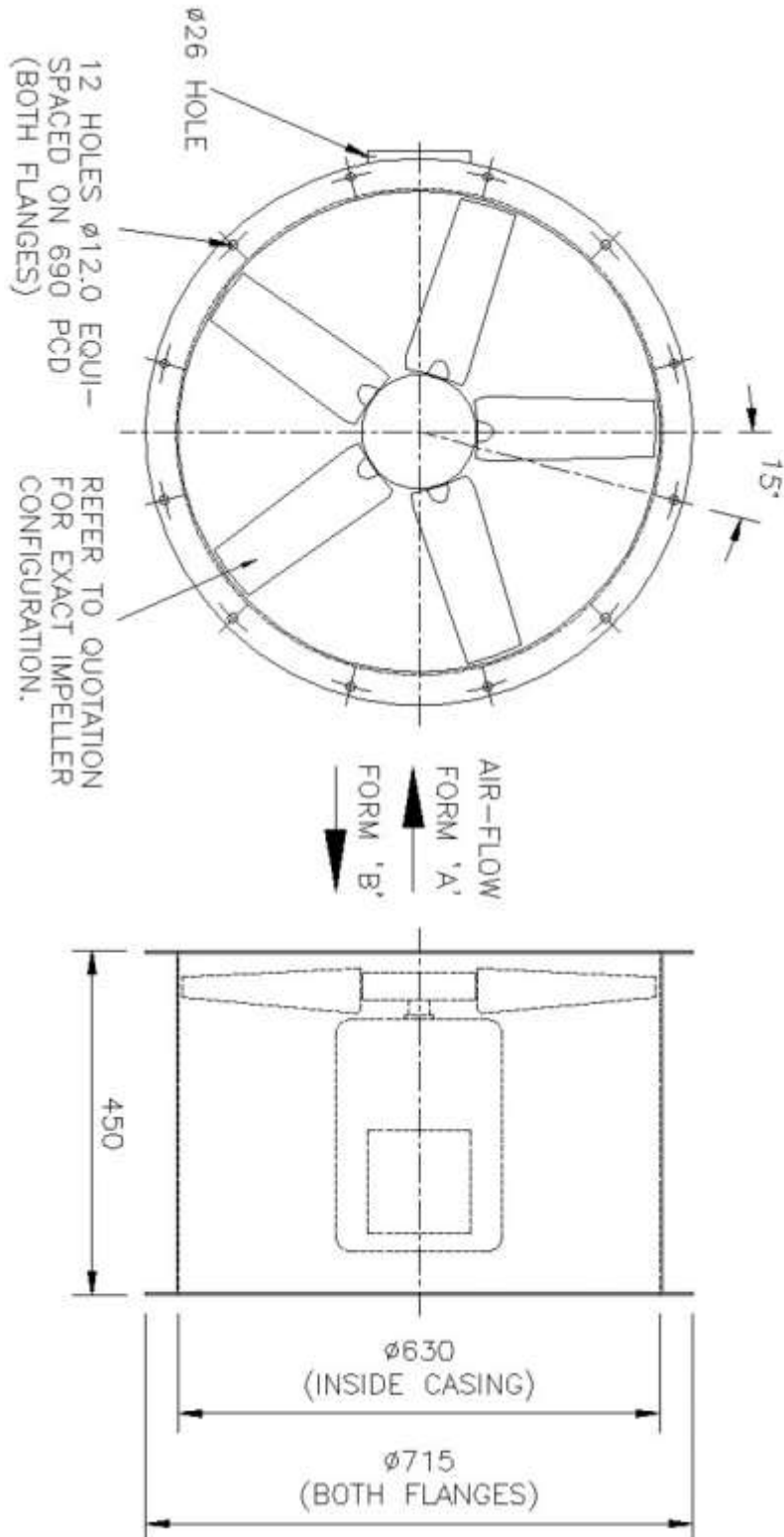
Spectrum (Hz)	63	125	250	500	1k	2k	4k	8k	dBW	dB(A) @ 3m
Inlet (dB)	99	100	100	99	97	94	90	90	107	81
Outlet (dB)	97	106	94	94	93	93	87	85	107	78

Sound levels are quoted as in-duct values. dB(A) values are average spherical free-field for comparative use only.

Technical Data

Energy Related Product Data		At Maximum Efficiency Point	
Overall Efficiency	41.0%	Input Power	6.82 kW
Measurement Category	C	Airflow	4.40 m ³ /s
Efficiency Category	Static	Pressure	635 Pa
FMEG	42	Speed	2880 r/min
Specific Ratio	1		

Drawing for Fan model LCS063P2-A3/21



Technical Graphs

