

Technical Data Sheet



Stirling Casement Ventilator

General Specification

The Stirling smoke and heat exhaust ventilator (SHEV) is constructed from extruded AW 6063-T6 aluminium alloys manufactured to EN775 specification. Incorporated within the extrusion profiles is provision for dual weather sealing, control mechanism attachment, hinge location and standard glazing bead and gasket for various size glass and insulating panels.

All Stirling units can be fitted both horizontally and vertically and are available in standard form for pocket glazing into all 24, 28 and 32mm curtain wall and roof glazing systems. In addition, various flanges are available to allow integration with non-glazed composite structures.

Product Specification

Construction

- Extruded Aluminium

Sizes & Weights

Smoke Ventilation - Available in increments from 450 mm to 2000 mm high and 500 mm to 1350 mm wide depending on orientation and application.

Natural Ventilation - Larger sizes are available for natural ventilation depending on orientation and application.

Controls

The Stirling is supplied with electric operation

Finish Options

- Naturally anodised
- Polyester powder coated to a standard BS or RAL colour.

Glass & Panel Types

The Stirling can be fitted with either of the following: (Glass thickness can range from 9 to 48mm)

- Single Glazed
- Double Glazed
- Triple Glazed
- Insulated Or Un-Insulated Aluminium
- Polycarbonate

Installation

The Powrmatic Stirling vent can be installed vertically or horizontally into either of the following applications:

- Glazing Systems & Facades
- Curtain Wall Frames
- Block Work Openings

Optional Accessories

- Birdguards - 12mm square galvanised wire mesh.
- Security Bars/Guards - 16mm Ø solid steel bar.
- Insect Mesh - woven aluminium

Product Specification

In developing the Stirling we have created a product which in itself is a system. It is easily extended and adapted to integrate with modern curtain wall and roof glazing systems and to all other forms of structure - be it stone, brick or cladding.

The product can blend into building structures whilst maintaining the highest specification standards. This affords the designer creativity in the use of high performing, thermally efficient products. It has been specifically designed to meet both the functional and aesthetic demands of the modern construction industry and provides the perfect blend of performance, versatility and aesthetics.

Panel Options & Certification

Louvre Options	Tested To
Double glazed panel	EN-12101
25mm Insulated aluminium panel	EN-12101
25mm multi wall polycarbonate	EN-12101

Control Options & Certification

The Stirling is available with the following standard controls:

Control Options	Tested To
24v Electric Drive Open/Drive Close Actuators (Chain Or Spindle)	EN-12101

Testing

The Stirling have been tested to BS EN 12101 – Part 2: 2003: Specification for natural and heat exhaust ventilators.

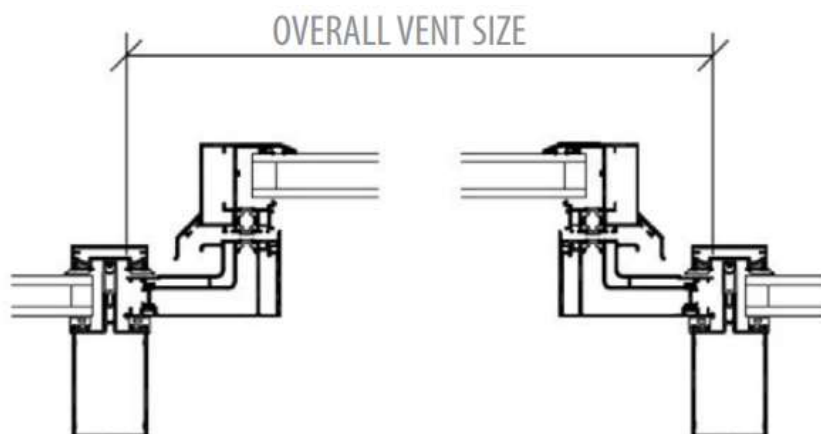
Test	Class	Test	Class
Reliability	RE- 1000	Temp (Low)	T (-5°C)
Wind Load	WL - 1000	Temp (High)	B-300
Snow Load	SL - 750		

Additionally, The Stirling ventilator has been independently weather tested to BS 6375 which encompasses BS 5368 procedures.

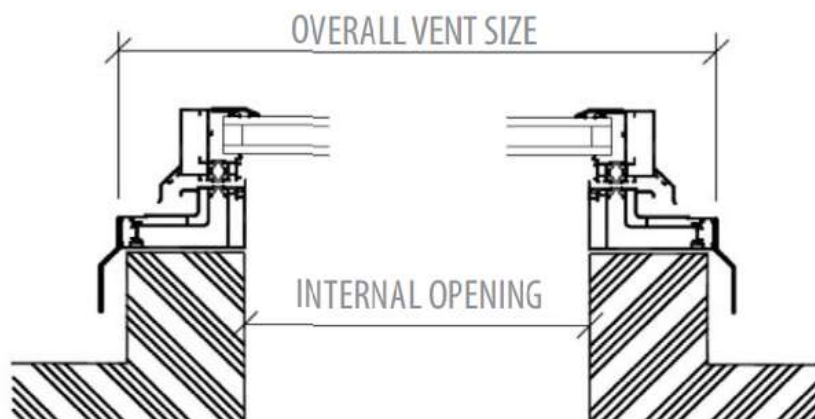
Technical Drawings

Selecting Your Vent - Contact one of the ventilation team to discuss your dimension requirements & free areas

Typical Pocket Glaze Installation



Typical Prepared Unstand



Approved Maximum Vent Sizes

